



SERVING THE FOOD INDUSTRY SINCE 1951

HEAVY-DUTY COMMERCIAL CHEESE GRATERS

Item: 19921
Model: GR-IT-1491-B

2-HP European Heavy-duty Cheese Graters for Hard Cheese

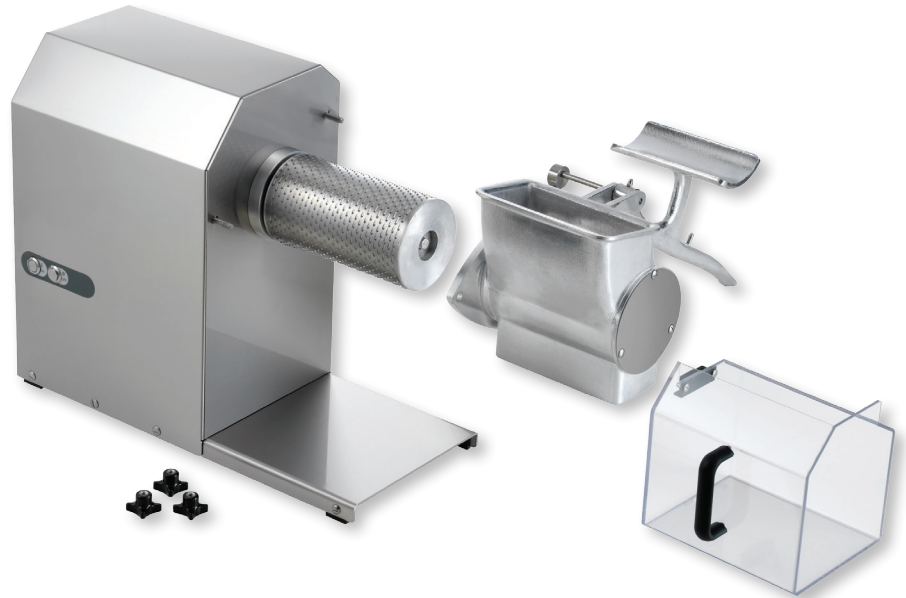
These heavy-duty models allow for easy grating of hard cheese and stale breads. Designed to be suitable for small to medium applications. All models are equipped with a microswitch.



Authorized Dealer

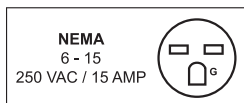
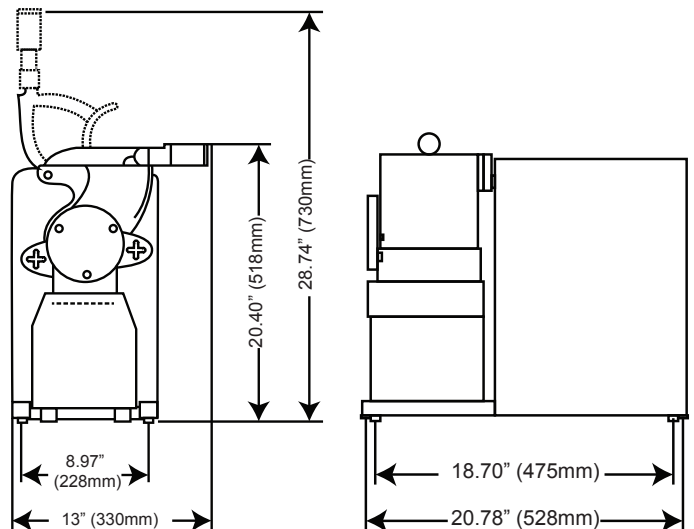
SERVING THE FOOD INDUSTRY SINCE 1951

This Heavy-duty Cheese Grater comes with a transparent plexiglas container for a better view of the processed cheese. The aluminum head and stainless steel drum are easily removed without tools that allows for easy cleaning. Self cooled motor for high performance and continuous use.



TECHNICAL SPECIFICATION	
ITEM NUMBER	19921
MODEL	GR-IT-1491-B
POWER	2 HP / 1.49 kW
GRATER REVOLUTION	1400 RPM
BRAKE MOTOR	YES
MOUTH DIMENSION	3.75" x 7.5 / 95.25 x 190.5mm
ELECTRICAL	240V/60Hz/1Ph
WEIGHT	74 lbs. / 33.56 kg
PACKAGING WEIGHT	86 lbs./ 39 kg
DIMENSIONS (DWH)	20.78" x 13" x 20.5" / 528 x 330 x 518mm
PACKAGING DIMENSIONS	30" x 26" x 24" / 762 x 660 x 609mm

Product Dimensions



update: January 12, 2022

OMCAN INC.

Telephone: 1-800-465-0234
 Fax: (905) 607-0234
 E-mail: sales@omcan.com
 Website: www.omcan.com



Follow us to keep up to date with the latest news and offers

